



A Gorman-Rupp Company

SELF-PRIMING DIAPHRAGM PUMPS

- Sand Cast Aluminum Construction for Portability and Durability
- Thermoplastic Rubber Diaphragm
- 2" to 3" NPT Suction and Discharge Sizes
- 1-5/8" Diameter Solids-Handling Capability
- Modular Component Design Permits Easy Maintenance and Cleanout
- Engine-Driven Models: Choice of Honda and Briggs & Stratton Gas or Hatz Diesel Engines
- Delivers up to 90 GPM
- Maximum Temperature 180°F



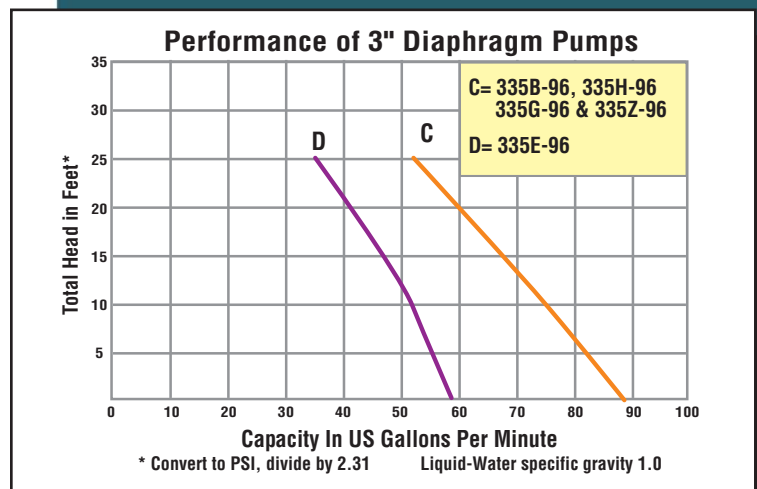
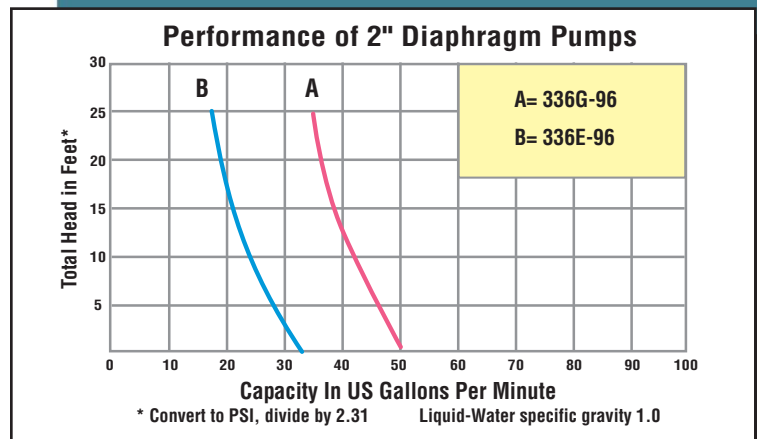
Model 335Z-96



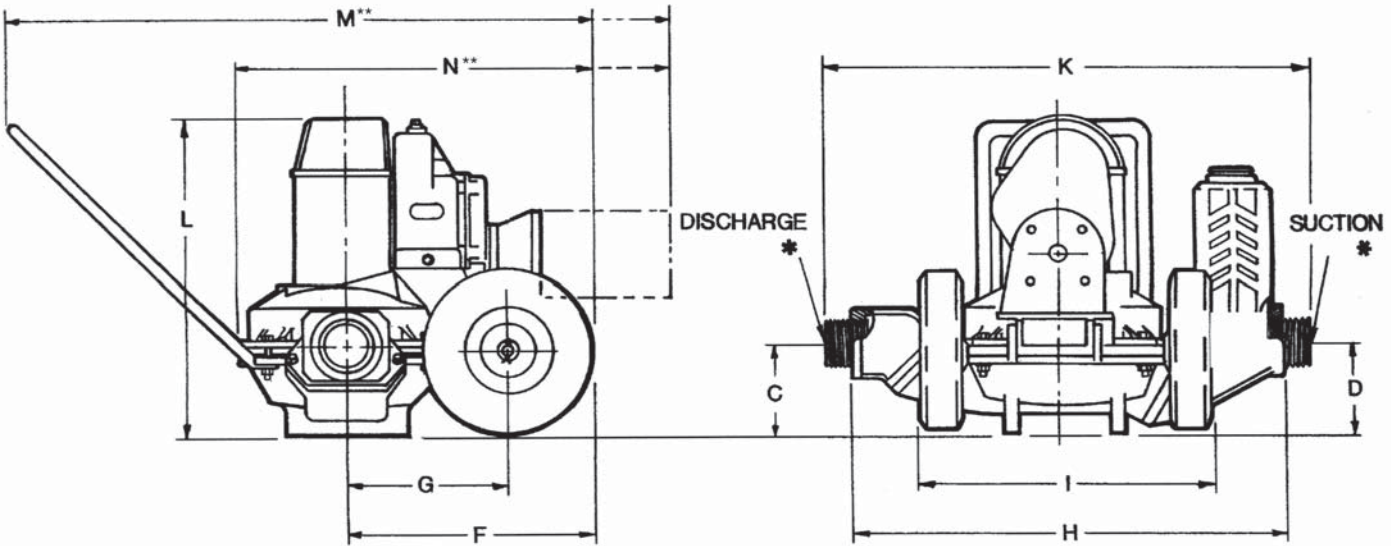
Model 335H-96 Shown With 90° Rotatable Base

The AMT line of 2" and 3" Diaphragm pumps features 2-stage, 44 to 1 gear reduction with a large diameter output gear and heavy duty ball bearing construction. Often referred to as Mud Pumps or Sludge Pumps, diaphragm pumps are designed to pump mud, slurry, sewage, and thick liquids that have the ability to flow. AMT Diaphragm pumps are available with a choice of drivers to meet your application requirements: Briggs & Stratton or Honda gasoline engines, Hatz Diesel, and 115 VAC electric motor with weatherproof cord and switch. Built-in molded flapper/check valve assures self-priming to 20 ft. after initial prime. Heavy duty gear box is designed to operate pumps at 40 strokes per minute for Electric Motor models and 60 strokes per minute for Engine-Driven models. Each unit includes a 2" or 3" NPT steel suction strainer, two NPT nipples, and a wheel kit with 10" semi-pneumatic transport wheels for portability. Pumps are designed for use with non-flammable liquids which are compatible with pump component materials. *Suction and discharge port size cannot be reduced.*

INDUSTRIAL DUTY



DIAPHRAGM PUMPS



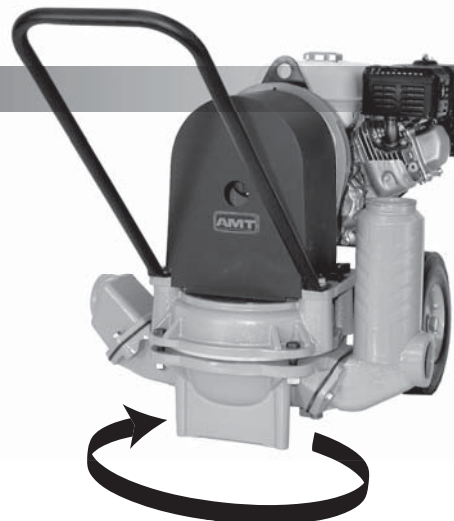
MODEL	CURVE	DRIVER	SUC.*	DIS.*	C	D	F	G	H	I	K	L	M**	N**	SHIP WT.
336G-96	A	HONDA GX120	2"	2"	7.3	5.6	17.8	12.8	22.2	18.1	25.7	23.2	39.2	25.0	125 lbs.
336E-96	B	1.5 HP Elec. Motor	2"	2"	7.3	5.6	17.8	12.8	22.2	18.1	25.7	23.2	41.1	26.8	131 lbs.
335E-96	D	1.5 HP Elec. Motor	3"	3"	6.2	6.3	14.5	9.5	26.5	17.9	30.0	22.0	43.5	27.5	186 lbs.
335B-96	C	B&S CP550	3"	3"	6.2	6.3	14.5	9.5	26.5	17.9	30.0	22.0	41.5	25.5	181 lbs.
335H-96	C	HONDA GX160	3"	3"	6.2	6.3	14.5	9.5	26.5	17.9	30.0	22.0	41.5	25.5	182 lbs.
335Z-96	C	HATZ DIESEL L48	3"	3"	6.2	6.3	14.5	9.5	26.5	17.9	30.0	22.0	43.0	27.0	203 lbs.

(*) Standard NPT (female) pipe thread. (**) This dimension may vary due to motor or engine manufacturer's specifications.
NOTE: Dimensions have a tolerance of ±1/8".

Standard Features For AMT Diaphragm Pumps:

- Engine-Driven Models - Choice of Honda, Briggs & Stratton Gasoline or Hatz Diesel Engines
- 2" to 3" NPT Port Sizes
- Models 336E-96/335E-96 – 1.5 HP single phase, 115/230 Volt motor with manual reset overload includes 20 foot 115 VAC power cord and weatherproof on/off switch

WARNING: Do not use in explosive atmosphere or for pumping volatile flammable liquids.



90° rotatable base on all models

DJ Gongol & Associates, Inc.
 4801 Pommel Place
 West Des Moines, IA 50265
 515-223-4144
 www.gongol.net
 sales@gongol.net



See price book page 13

The Gorman-Rupp Company reserves the right to discontinue any model or change specifications at any time without incurring any obligation.

CP35-36/0906